

Assembly Guide for Key-Tail

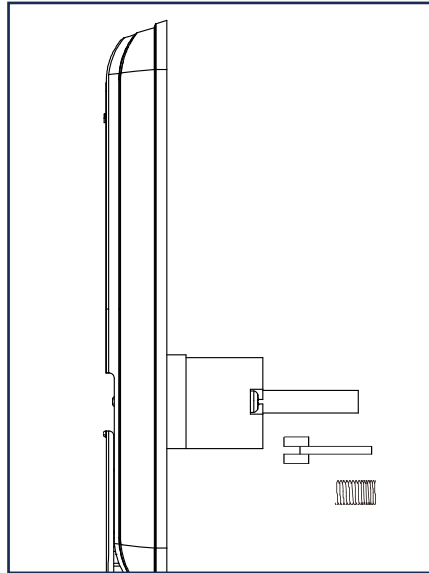
Date: 2025.01.13

Before installation of ES-S520 Series...

1. The ES-S520 Series is a rim lock which has emergency key. So it is a little bit different from other EPIC Door Lock at installation process.
2. The ES-S520 Series has Key-tail and spring and need to assembly the Key-tail and spring for the installation.
3. Therefore, Kindly request to check this guidance and install well.

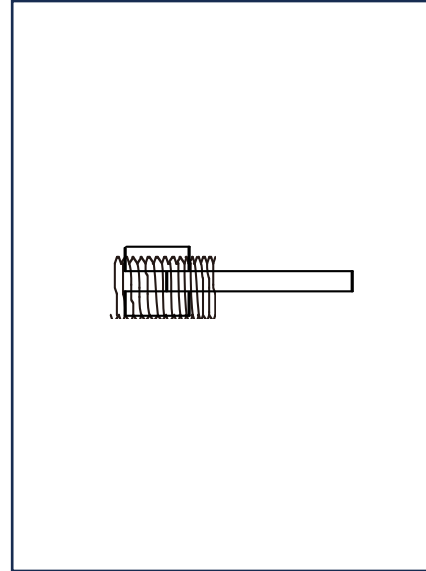


Description Picture



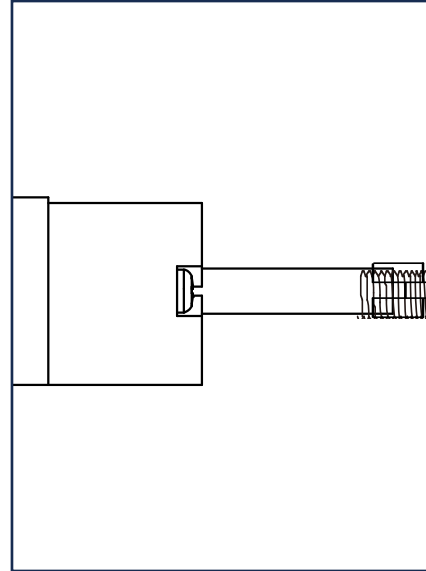
STEP 1

- Take out the Key-tail and spring.



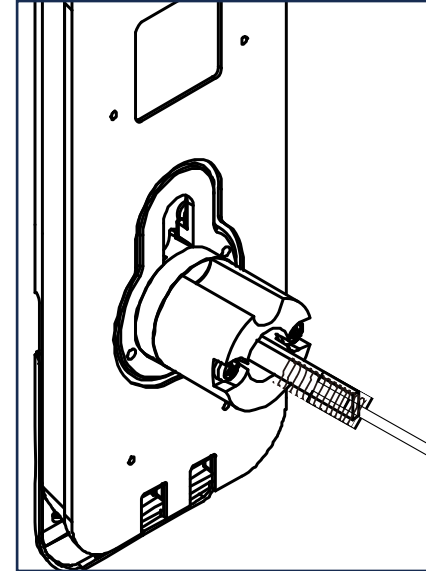
STEP 2

- Combine the Key-tail and spring.
- In this case, the narrow gap between the springs is joined to contact the key tail.



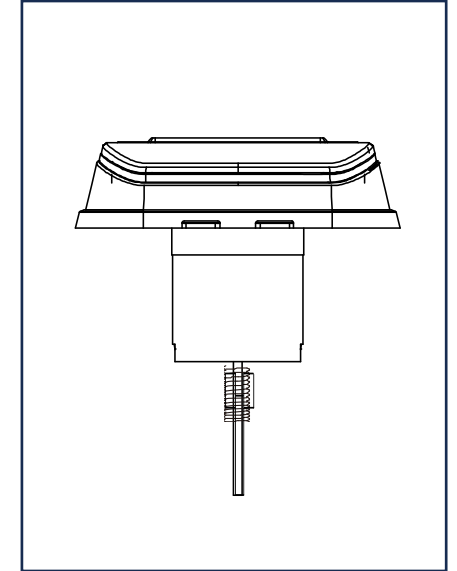
STEP 3

- Then, Insert the spring combined to the Key-tail into the key rod located at the front of the door lock.



STEP 4

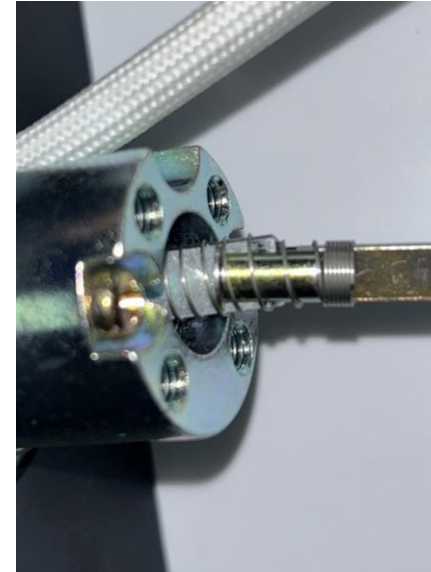
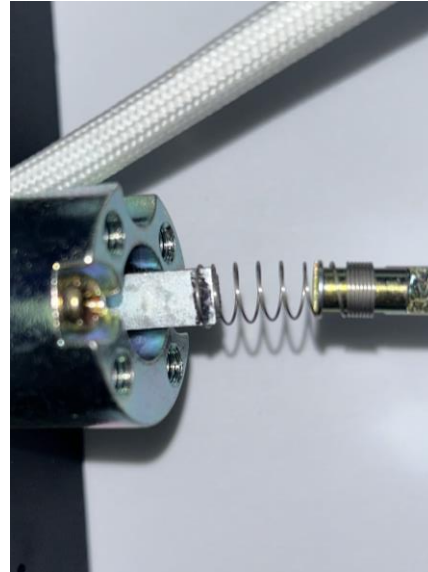
- Push and combine the key tail so that it match with the key rod.
- The spring should cover the key rod and the key tail at the same time.



STEP 5

- The Key-tail and key rod is combined.

Description Picture



STEP 1

- Take out the Key-tail and spring.

STEP 2

- Combine the Key-tail and spring.
- In this case, the narrow gap between the springs is joined to contact the key tail.

STEP 3

- Then, Insert the spring combined to the Key-tail into the key rod located at the front of the door lock.

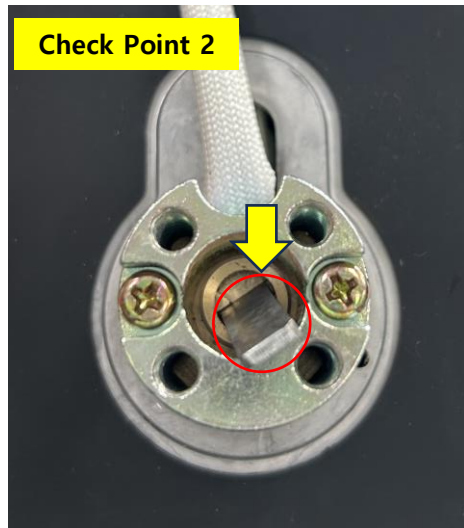
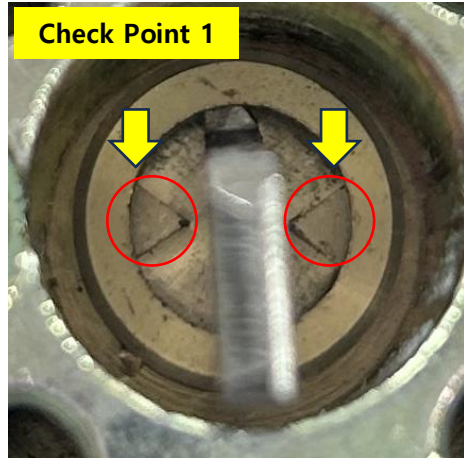
STEP 4

- Push and combine the key tail so that it match with the keyrod.
- The spring should cover the key rod and the key tail at the same time.

STEP 5

- The Key-tail and key rod is combined.

Description Picture



Notice

- First, position the part to match the photo in Checkpoint 1.
- Then, adjust the key tail to match the photo in Checkpoint 2.
- Finally, assemble the key tail as shown in the photo in Checkpoint 3.



THANK YOU